



Data Sheet

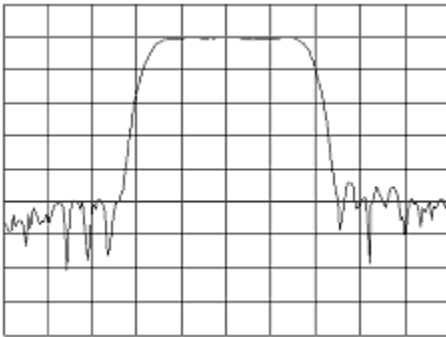


Product Category: IF SAW Filter

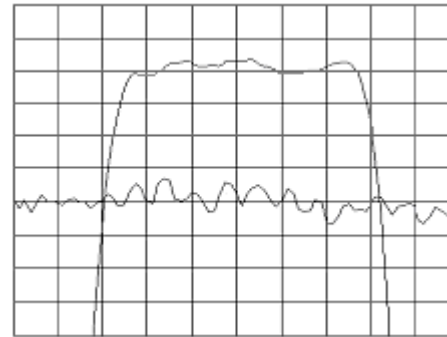
Part Number: 835-IF70.0M-Q Package: 35.0 x 12.8 Thru Hole Application: Base Station & Repeater Last Modified: May 02 2003

TYPE :
70.0 MHz Bandpass Filter
1.5 MHz Bandwidth

PART NUMBER :
835-IF70.0M-Q



Horizontal : 0.5 MHz/Div
Vertical : 10 dB/Div



Horizontal : 0.3 MHz/Div
Vertical : 1 dB/Div
Vertical : 100 ns/Div

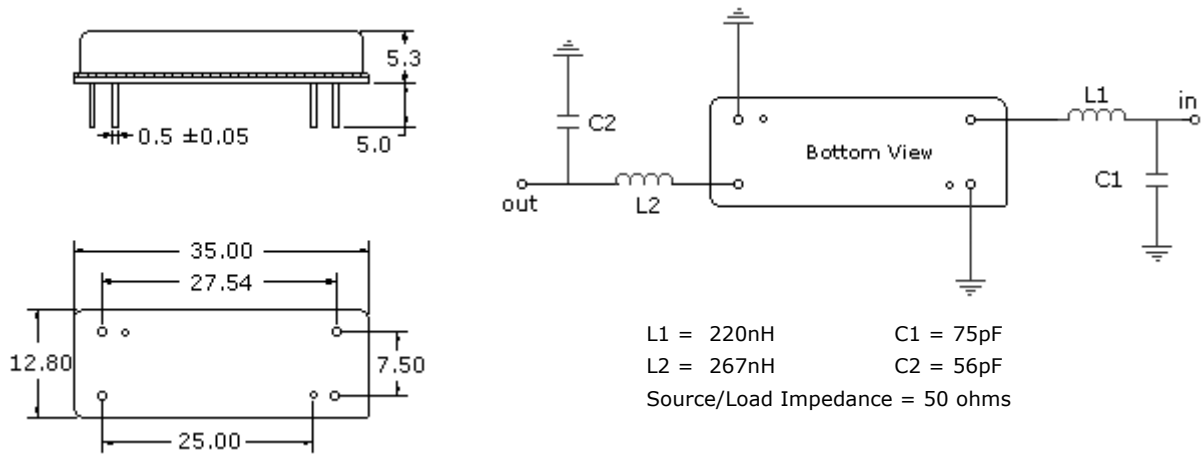
OPERATING CONDITIONS / ELECTRICAL CHARACTERISTICS

PARAMETERS	Minimum	Typical	Maximum	Units
Center Frequency	69.94	70.00	70.06	MHz
Insertion Loss	-	23.5	25.0	dB
1dB Bandwidth	1.3	1.5	-	MHz
3dB Bandwidth	1.5	1.7	-	MHz
40dB Bandwidth	-	2.4	2.6	MHz
Passband Ripple	-	0.3	0.8	dB
Group Delay Variation	-	100	200	µsec
Absolute Delay	-	3.7	-	µsec
Ultimate Rejection	50	53	-	dB
Substrate Material	-	Qz	-	-
Ambient Temperature	-	25	-	°C

* Custom SAW IF Filters available. Contact Oscilent for assistance.

PACKAGE OUTLINE (mm)

TEST FIXTURE



Oscilent Corporation - CALL **949.252.0522**

17962 Sky Park Circle, Building D, Irvine, CA 92614, USA
 Fax: 949.252.0599, E-Mail: Sales@Oscilent.com

Part No.: 835-IF70.0M-Q